

DISPLAY Elektronik GmbH

DATA SHEET

LCD MODULE

**DEM 480272E VMX-PW-N
(A-TOUCH)**

Product Specification

Version: 3

04.12.2024

GENERAL SPECIFICATION

MODULE NO. :

**DEM 480272E VMX-PW-N
(A-TOUCH)**

CUSTOMER

VERSION NO.	CHANGE DESCRIPTION	DATE
0	Original Version	07.11.2024
1	Update the LCD type on page 2; Update the P/N on page 4	08.11.2024
2	Update the luminance to 280cd/m ² on page 4,8	25.11.2024
3	Change the bezel opening to avoid leakage	04.12.2024

PREPARED BY: CC

DATE: 04.12.2024

APPROVED BY: WH

DATE: 04.12.2024

CONTENTS

1. GENERAL SPECIFICATIONS.....2

2. EXTERNAL DIMENSIONS4

3. BLOCK DIAGRAM.....6

4. PIN ASSIGNMENT.....7

5. OPTICAL CHARACTERISTICS.....8

6. ABSOLUTE MAXIMUM RATINGS.....11

7. ELECTRICAL CHARACTERISTICS.....11

8. TIMING CHARACTERISTICS.....12

9. RELIABILITY TEST15

10. LCD MODULES HANDLING PRECAUTIONS16

11. OTHERS.....16

1. GENERAL SPECIFICATIONS

ITEM	STANDARD VALUE	UNIT
LCD TYPE	TFT/IPS/NORMALLY BLACK/ TRANSMISSIVE NEGATIVE	-
MODULE SIZE(W*H*T)	105.50 x 67.20 x 4.15	mm
ACTIVE SIZE(W*H)	95.04 x 53.856	mm
PIXEL PITCH(W*H)	0.198 x 0.198	mm
NUMBER OF DOTS	480 x 272	-
DRIVER IC	SC7283-G4	-
INTERFACE TYPE	24 BIT RGB	-
RECOMMENG VIEWING DIRECTION	ALL	O' Clock
GRAY SCALE INVERSION DIRECTION	-	O' Clock
COLORS	16.7 Million	-
BACKLIGHT TYPE	7-CHIP WHITE LED	-
TOUCH PANEL TYPE	RTP	-

Touch Panel Features

Type: 4-Wire Analogy Resistive Touch Panel
Input Mode: Stylus or Finger
ITO Film: 0.3 mm (T)
ITO Glass: 0.7 mm (T)
Connector: FPC

TOUCH PANEL MECHANICAL CHARACTERISTICS

Surface Hardness: 3H or more (according to JIS-K5400).

TOUCH PANEL OPTICAL CHARACTERISTICS

Transmittance: 80% Typical.

TOUCH PANEL RATING

1. Maximum Voltage

Less than DC 7 volts.

2. Operating Temperature Range

- 30°C to 85°C (Humidity: 20% RH to 70% RH, No condensation of dew).

3. Storage Temperature Range

- 30°C to 85°C (Humidity: 20% RH to 80% RH, No condensation of dew).

TOUCH PANEL ELECTRICAL CHARACTERISTICS

1. Resistance between Terminals

Direction "Y" : 140~315 Ω

Direction "X" : 410~960 Ω

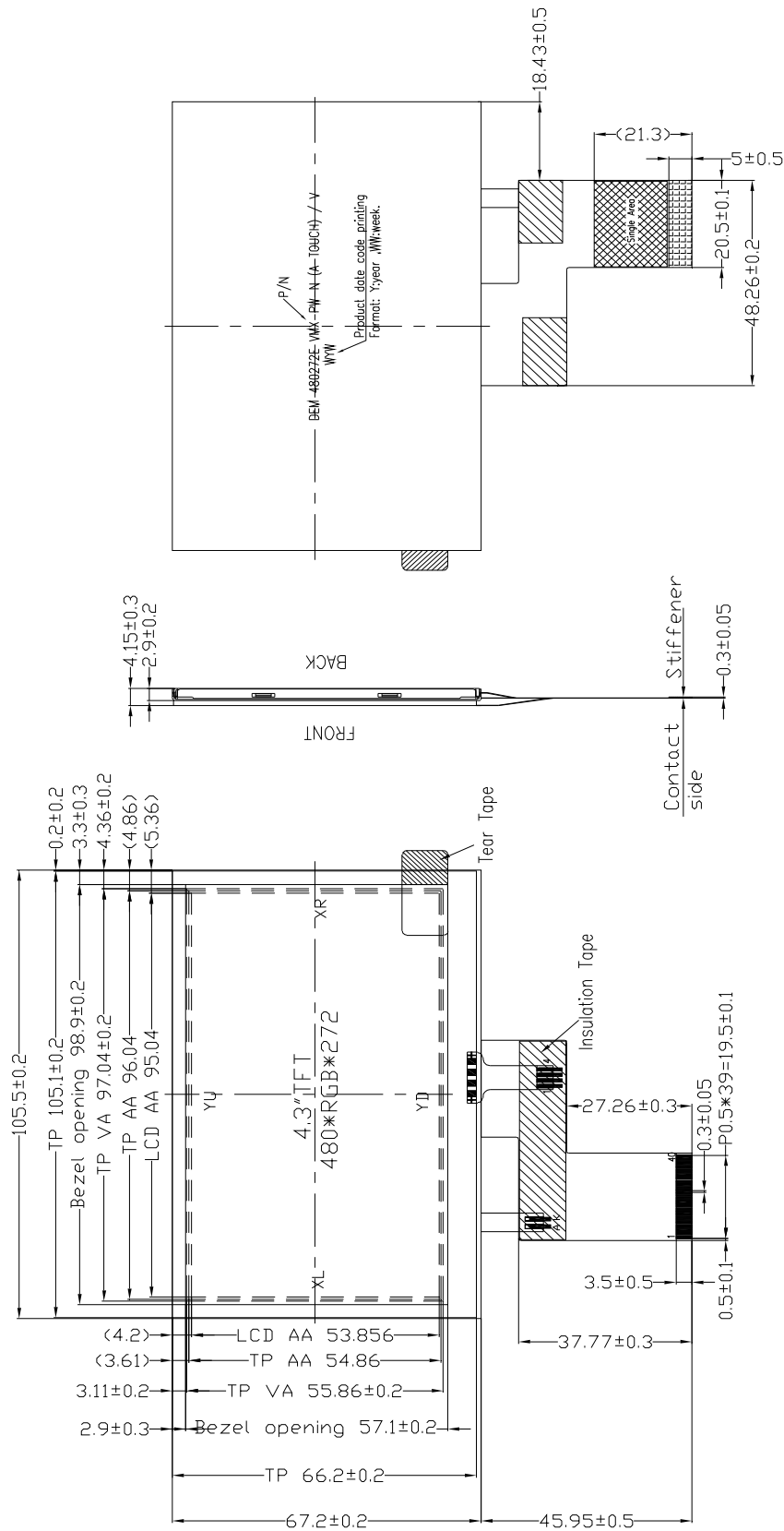
2. Linearity

X axis: $\leq \pm 1.5\%$

Y axis: $\leq \pm 1.5\%$

3. Insulation Resistance: 20M Ω or more at DC 25 V.4. Chattering Time: 10 msec or less at 100k Ω Pull-up.

2. EXTERNAL DIMENSIONS



Circuit diagram:



7 PCS WHITE LED

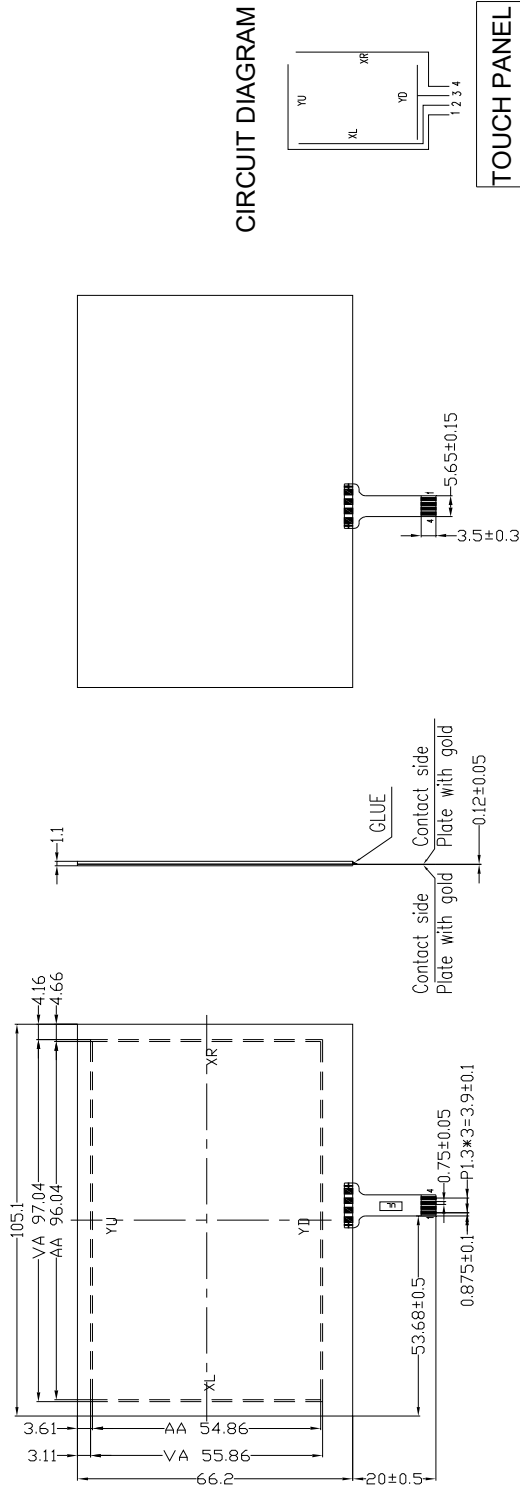
20mA@ 22.4(TYP)V

Brightness 280cd/m²(TYP)

Remark:

1. Unmarked tolerance is ±0.2
2. All materials comply with RoHS
3. ...:critical dimension.

Touch Panel:



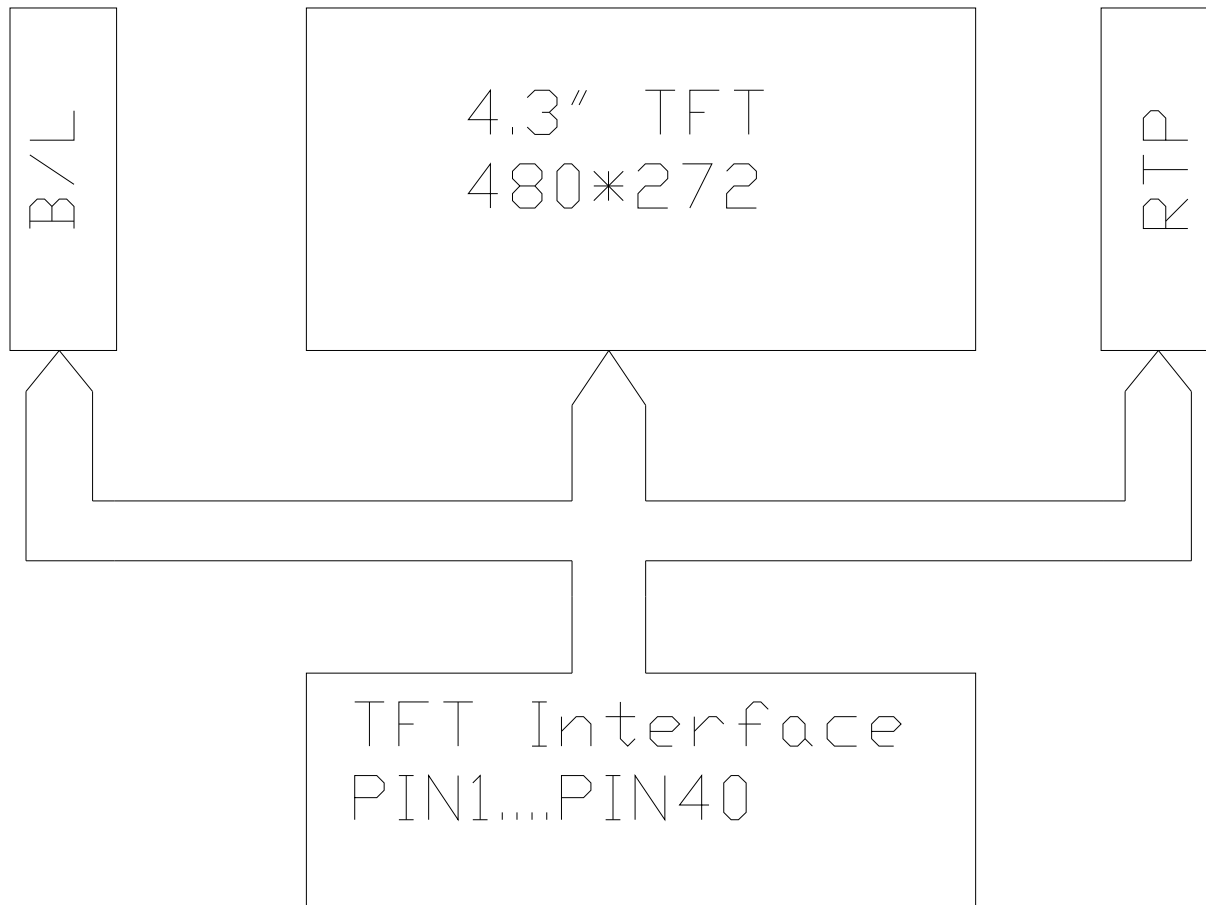
CIRCUIT DIAGRAM

TOUCH PANEL	
No	SYMBOL
1	YU
2	XL
3	YD
4	XR

REMARK:

- 1, Glass THK:0.7mm
- 2, Total THK:1.1±0.15mm
- 3, Linearity:±1.5% or less
- 4, Transmittance:80% Typical
- 5, Resistance
440<X<960 ohm
140<Y<315 ohm
- 6, Connector:FPC
- 7, For prevention of detach of FPC from Glass,add taping and gluing(Like LCD module)
- 8, Operating Force:20~100g
Silicon Rubber Measuring Head Contact Area: $\phi 0.3\text{mm} \sim \phi 0.8\text{mm}$
- 9, General Tolerance:±0.3mm.
- 10, All materials comply with RoHS
- 11, critical dimension.

3. BLOCK DIAGRAM



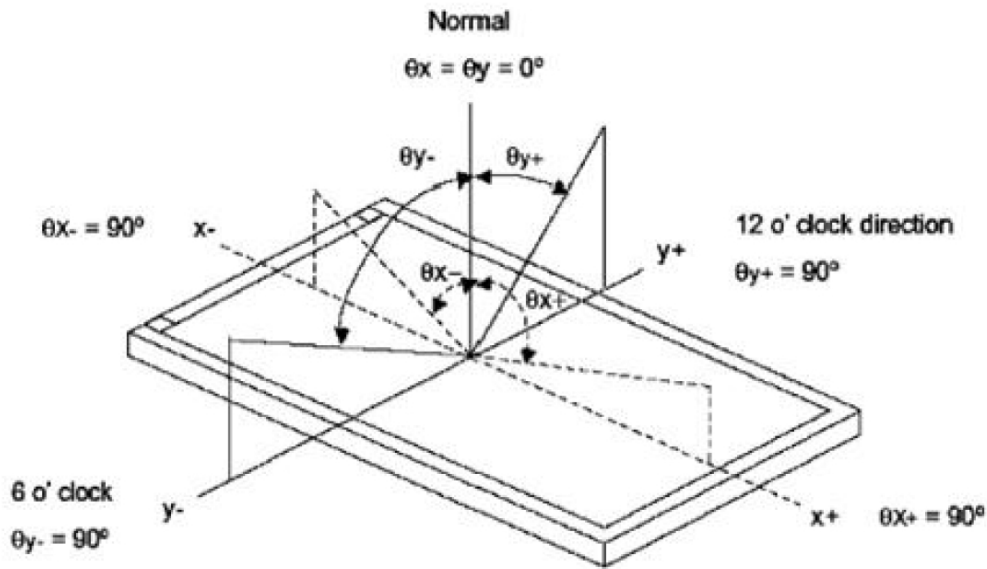
4. PIN ASSIGNMENT

No.	Symbol	Function
1	VLED-	Backlight Cathode
2	VLED+	Backlight Anode
3	GND	Ground
4	VDD	Power source
5	R0	Red data signal
6	R1	Red data signal
7	R2	Red data signal
8	R3	Red data signal
9	R4	Red data signal
10	R5	Red data signal
11	R6	Red data signal
12	R7	Red data signal
13	G0	Green data signal
14	G1	Green data signal
15	G2	Green data signal
16	G3	Green data signal
17	G4	Green data signal
18	G5	Green data signal
19	G6	Green data signal
20	G7	Green data signal
21	B0	Blue data signal
22	B1	Blue data signal
23	B2	Blue data signal
24	B3	Blue data signal
25	B4	Blue data signal
26	B5	Blue data signal
27	B6	Blue data signal
28	B7	Blue data signal
29	GND	Ground
30	PCLK	Clock signal to sample each data
31	DISP	Display on/off signal DISP='H' Display on DISP='L' Display off
32	HSYNC	Horizontal synchronizing signal
33	VSYNC	Vertical synchronizing signal
34	DE	Input data enable control.
35	NC	No connection
36	GND	Ground
37	XR	Touch Panel Pin
38	YD	Touch Panel Pin
39	XL	Touch Panel Pin
40	YU	Touch Panel Pin

5. OPTICAL CHARACTERISTICS

ITEM		SYMBOL	CONDITIONS	SPECIFICATIONS			UNIT	NOTE
				MIN	TYP.	MAX		
Luminance		L	Il=40mA		280		Cd/m ²	
Contrast ratio		CR	θ = 0° VIEWING NORMAL ANGLE	640	800			
Response time		Ton + Toff			30	40	ms	
CIE COLOUR COORDINATE	RED	XR			0.629			
		YR			0.326			
	GREEN	XG			0.337			
		YG			0.546			
	BLUE	XB			0.136			
		YB			0.143			
	WHITE	XW			0.320			
		YW			0.345			
VIEWING ANGLE	Hor.	θ _{x+}	CR ≥ 10	70	80		Degree	
		θ _{x-}		70	80			
	Ver.	θ _{y+}		70	80			
		θ _{y-}		70	80			

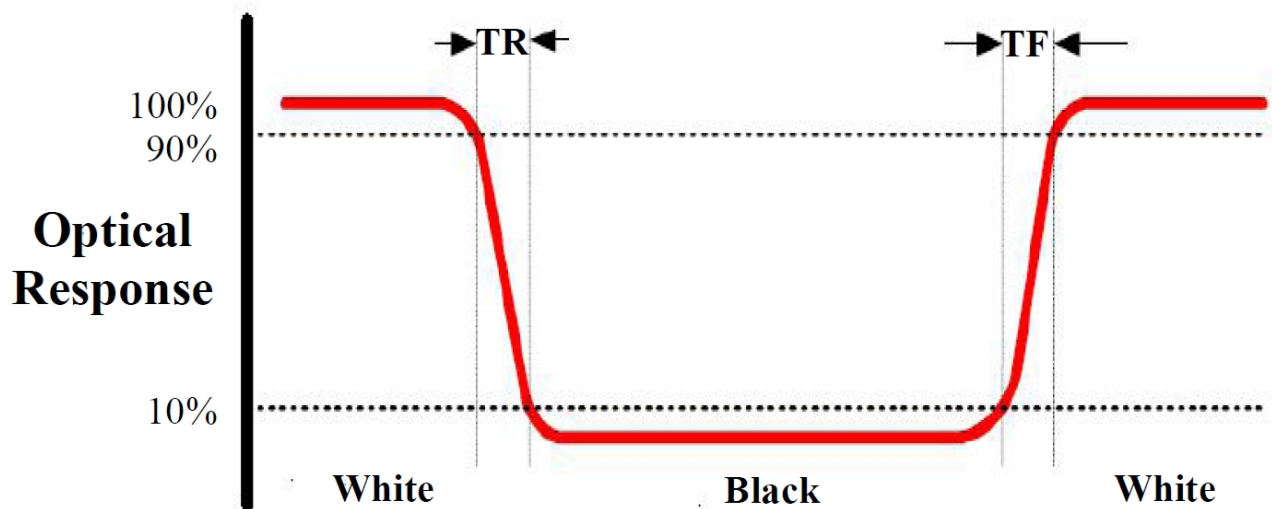
Note 1: Definition of Viewing Angle θ_x and θ_y :



Note 2: Definition of contrast ratio CR:

$$CR = \frac{\text{Luminance of white state}}{\text{Luminance of black state}}$$

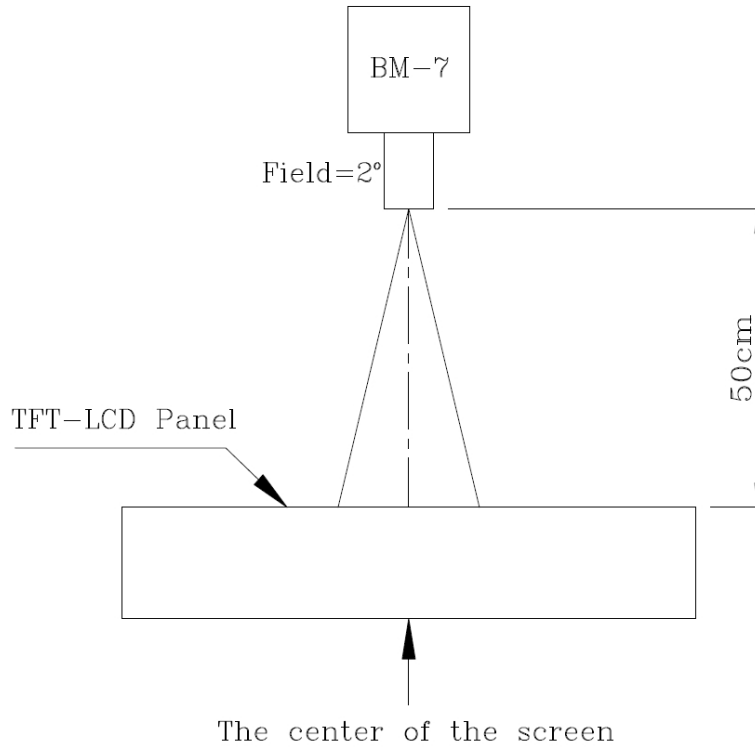
Note 3: Definition of Response Time (T_r, T_f)



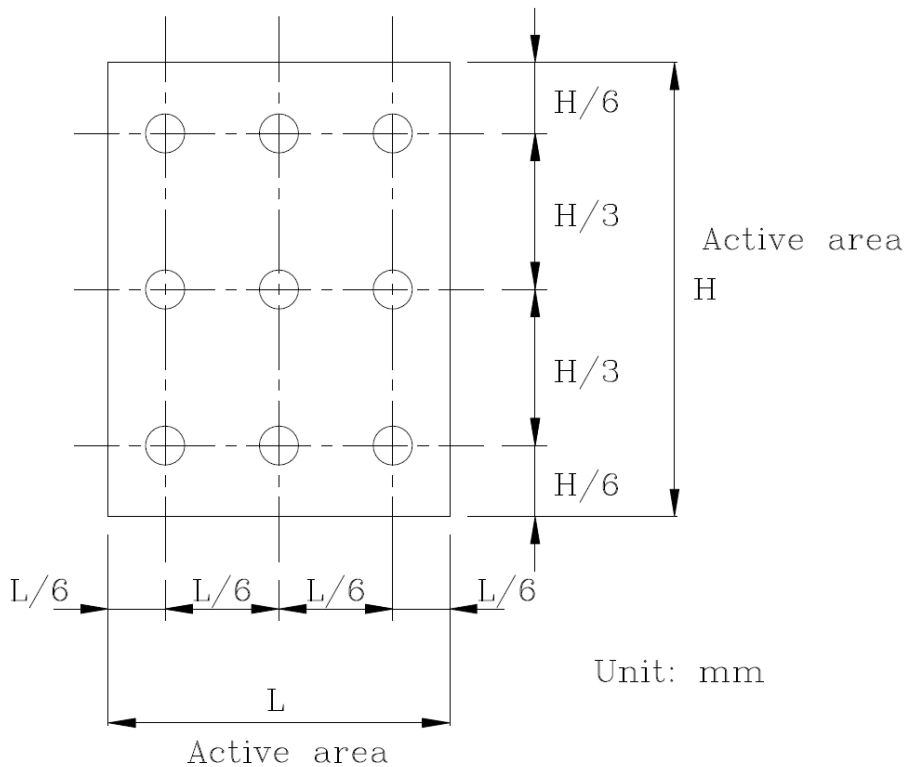
Note 4: Definition of Luminance

① The Brightness Test Equipment Setup

Field=2° (As measuring “black” image, field=2° is the best testing condition)



② The Brightness Test Point Setup



6. ABSOLUTE MAXIMUM RATINGS

PARAMETER	SYMBOL	MIN	MAX	UNIT
Power Supply Voltage	VDD	-0.3	4.0	V
IO Supply Voltage	VDDI	-0.3	4.0	V
Supply current(one LED)	I(LED)		30	mA
Operating temperature	Top	-30	+85	°C
Storage temperature	Tst	-30	+85	°C

Note: The absolute maximum rating values of this product are not allowed to be exceeded at any times. Should a module be used with any of the absolute maximum ratings exceeded, the characteristics of the module may not be recovered, or in an extreme case, the module may be permanently destroyed.

7. ELECTRICAL CHARACTERISTICS

7.1 Input Power

ITEM	SYMBOL	MIN	TYP.	MAX	UNIT
Power Supply Voltage	VDD	3.0	3.3	3.6	V
IO Supply Voltage	VDDI	3.0	3.3	3.6	V
Input voltage	Vil	GND	-	0.3VDDI	V
	Vih	0.7VDDI	-	VDDI	V

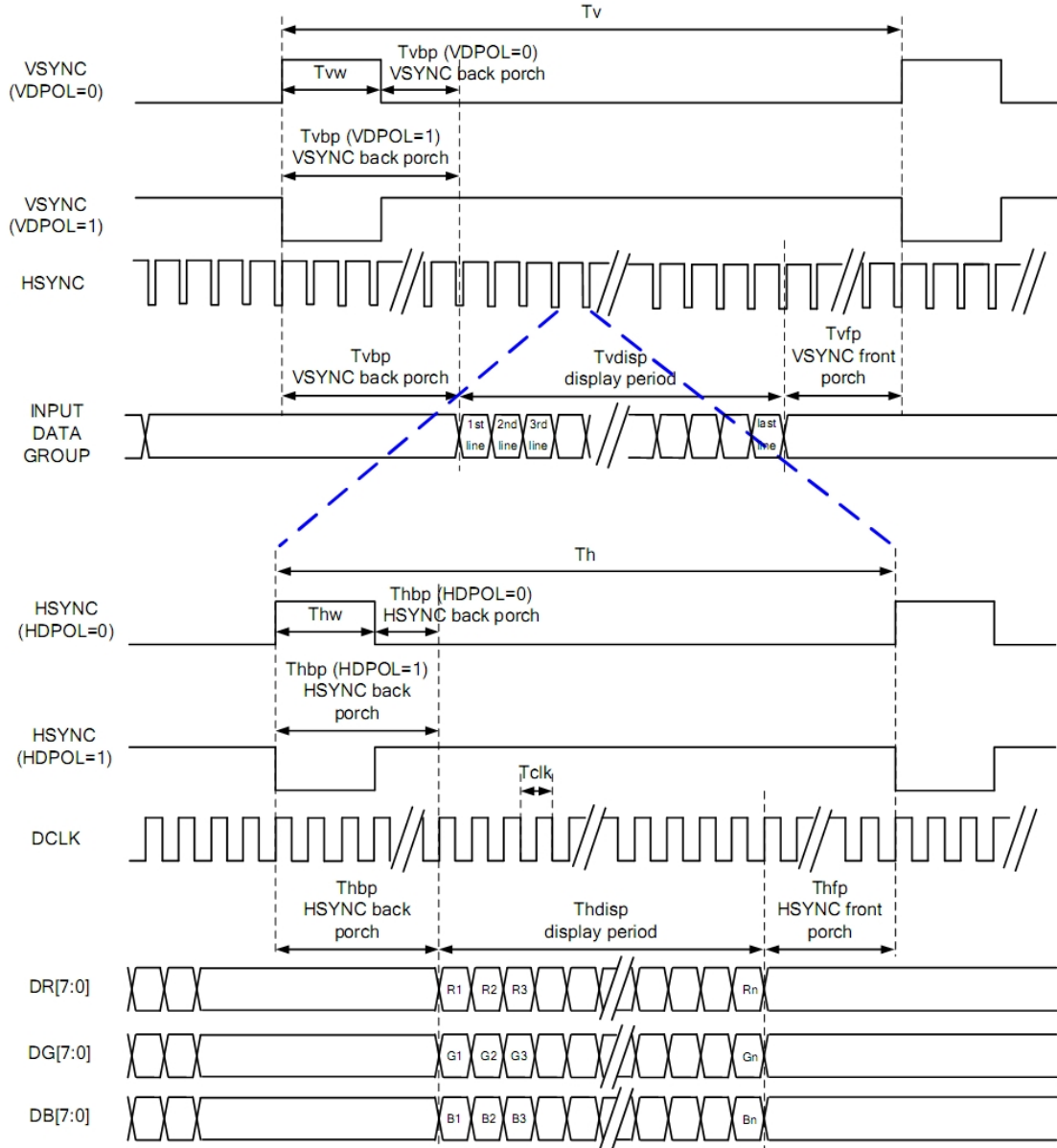
7.2 Backlight Driving Conditions

ITEM	SYMBOL	SPECIFICATIONS			UNIT	REMARK
		MIN	TYP.	MAX		
Voltage for LED backlight	Vf		22.4		V	I _L =20mA
Current for LED backlight	I _L		20		mA	
Power consumption	P		0.448		W	
Led life time			50,000		Hr	Note

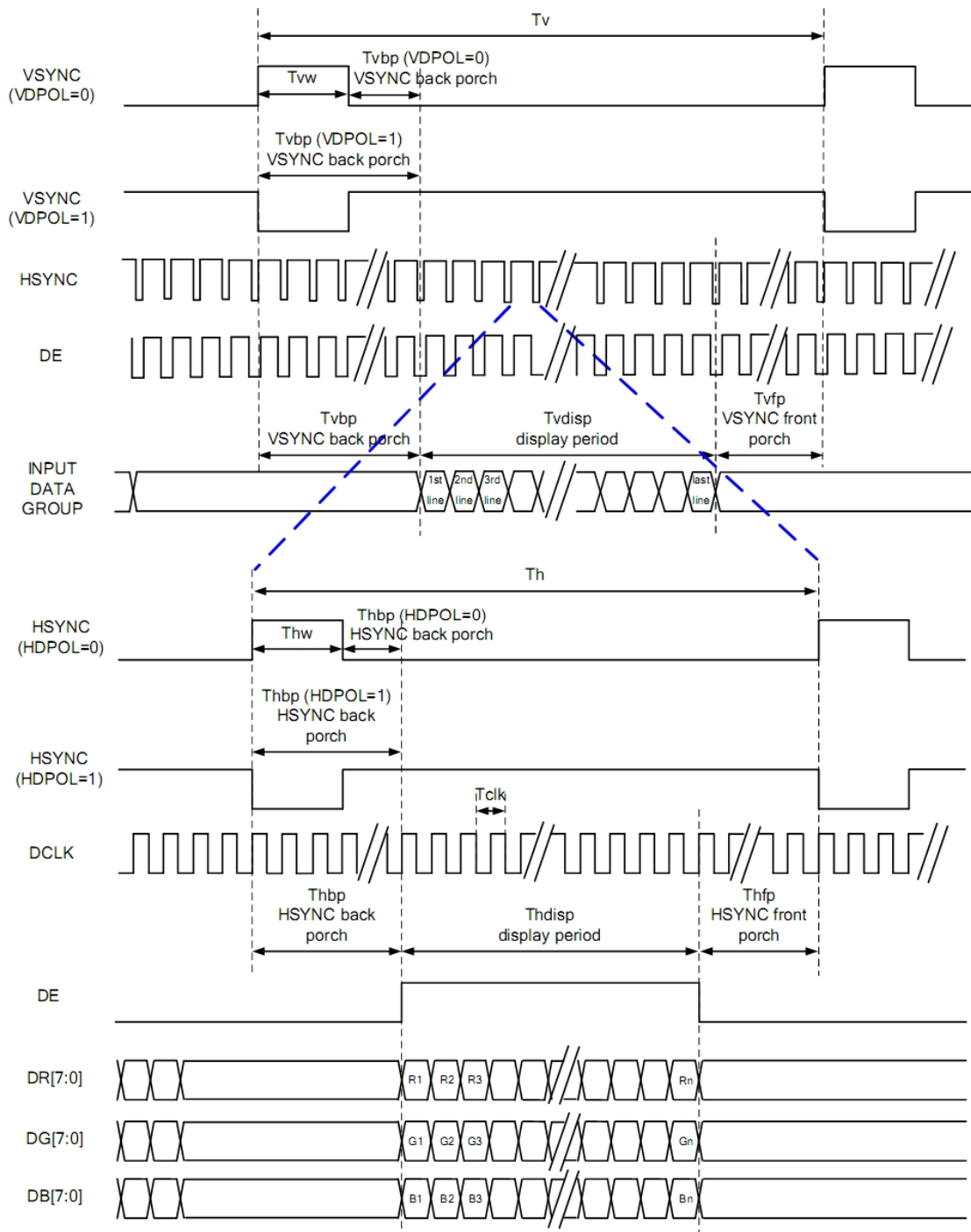
Note: brightness to be decreased to 50% of the initial value at ambient temperature TA=25°C

8. TIMING CHARACTERISTICS

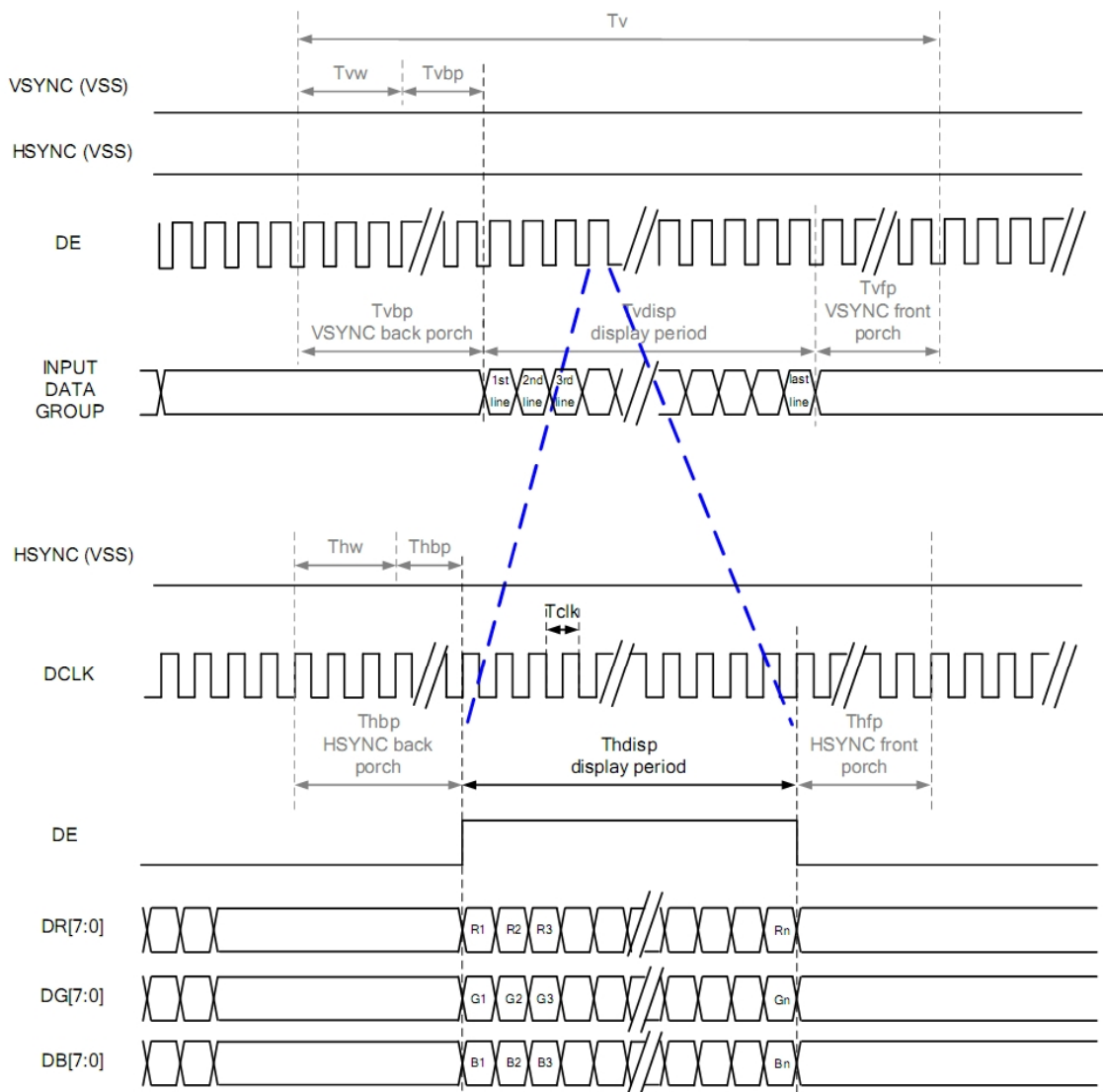
8.1 RGB Interface — SYNC Mode



8.2. RGB Interface — SYNC-DE Mode



8.3. RGB Interface — DE Mode



RGB Mode Selection Table	DCLK	HSYNC	VSYNC	DE
SYNC - DE Mode	Input	Input	Input	Input
SYNC Mode	Input	Input	Input	GND
DE Mode	Input	GND	GND	Input

Note: "Input" means these signals are driven by host side.

8.4 Parallel 24 bit RGB Input Timing Table

Parallel 24-bit RGB Input Timing (PVDD=VDD=VDDI= 3.3V, AGND= 0V, TA=25°C)

480RGB X 272 Resolution Timing Table							
Item	Symbol	Min.	Typ.	Max.	Unit	Remark	
DCLK Frequency	Fclk	8	9	12	MHz		
DCLK Period	Tclk	83	111	125	ns		
HSYNC	Period Time	Th	485	531	598	DCLK	
	Display Period	Thdisp		480		DCLK	
	Back Porch	Thbp	3	43	43	DCLK	By H_BLANKING setting
	Front Porch	Thfp	2	8	75	DCLK	
	Pulse Width	Thw	2	4	43	DCLK	
VSYNC	Period Time	Tv	276	292	321	HSYNC	
	Display Period	Tvdisp		272		HSYNC	
	Back Porch	Tvbp	2	12	12	HSYNC	By V_BLANKING setting
	Front Porch	Tvfp	2	8	37	HSYNC	
	Pulse Width	Tvw	2	4	12	HSYNC	

Note: It is necessary to keep Tvbp =12 and Thbp =43 in sync mode. DE mode is unnecessary to keep it.

9. RELIABILITY TEST

NO.	TEST ITEM	DESCRIPTION
1	High temperature operation	Ta=+85°C, 240hrs
2	Low temperature operation	Ta=-30°C, 240hrs
3	High temperature storage	Ta=+85°C, 240hrs
4	Low temperature storage	Ta=-30°C, 240hrs
5	High Temperature and High Humidity (Operating)	Ta=+60°C, 90%RH, 240hrs

10. LCD MODULES HANDLING PRECAUTIONS

- The display panel is made of glass. Do not subject it to a mechanical shock by dropping it from a high place, etc.
- If the display panel is damaged and the liquid crystal substance inside it leaks out, do not get any in your mouth. If
- The substance come into contact with your skin or clothes promptly wash it off using soap and water.
- Do not apply excessive force to the display surface or the adjoining areas since this may cause the color tone to vary.
- The polarizer covering the display surface of the LCD module is soft and easily scratched. Handle this polarize carefully.
- To prevent destruction of the elements by static electricity, be careful to maintain an optimum work environment.
 - Be sure to ground the body when handling the LCD module.
 - Tools required for assembly, such as soldering irons, must be properly grounded.
 - To reduce the amount of static electricity generated, do not conduct assembly and other work under dry conditions.
 - The LCD module is coated with a film to protect the display surface. Exercise care when peeling off this protective film since static electricity may be generated.
- Storage precautions
When storing the LCD modules, avoid exposure to direct sunlight or to the light of fluorescent lamps. Keep the modules in bags designed to prevent static electricity charging under low temperature / normal humidity conditions (avoid high temperature / high humidity and low temperatures below 0°C). Whenever possible, the LCD modules should be stored in the same conditions in which they were shipped from our company.

11. OTHERS

- Liquid crystals solidify at low temperature (below the storage temperature range) leading to defective orientation of liquid crystal or the generation of air bubbles (black or white). Air bubbles may also be generated if the module is subjected to a strong shock at a low temperature.
- If the LCD modules have been operating for a long time showing the same display patterns may remain on the screen as ghost images and a slight contrast irregularity may also appear. Abnormal operating status can be resumed to be normal condition by suspending use for some time. It should be noted that this phenomena does not adversely affect performance reliability.
- To minimize the performance degradation of the LCD modules resulting from caused by static electricity, etc. exercise care to avoid holding the following sections when handling the modules:
 - Exposed area of the printed circuit board
 - Terminal electrode sections.