

Display Elektronik GmbH

DATA SHEET

E-PAPER MODULE

DEE 240360B8-W
3.52“
E-PAPER DISPLAY

Product Specification

Ver.: 1

25.09.2024

Version	Content	Date	Producer
0	New Release	20.10.2023	JQ
1	Update 6.3.4 Interface Timing	25.09.2024	JQ

CONTENTS

1 General Description5

2 Features.....5

3 Application5

4 Mechanical Specification.....5

 4.1 Dimension.....5

 4.2 Mechanical Drawing of EPD Module.....6

5 Input/output Pin Assignment 7

6 Electrical Characteristics8

 6.1 Absolute Maximum Rating8

 6.2 Panel DC Characteristics8

 6.3 Panel AC Characteristics 10

 6.3.1 MCU Interface Selection..... 10

 6.3.2 MCU Serial Interface (4-wire SPI)10

 6.3.3 MCU Serial Interface (3-wire SPI)11

 6.3.4 Interface Timing 12

8 Handling, Safety, and Environment Requirements 14

9 Reliability Test 15

10 Block Diagram..... 16

11 Typical Application Circuit with SPI Interface..... 17

12 Inspection Standard 21

1 General Description

DEE 240360B8-W is an Active Matrix Electrophoretic Display (AM EPD), with interface and a reference system design. The 3.5” active area contains 240x360 pixels. The module is a TFT-array driving electrophoretic display, with integrated circuits including gate buffer, source buffer, MCU interface, timing control logic, oscillator, DC-DC, SRAM, LUT, VCOM. Module can be used in portable electronic devices, such as Electronic Shelf Label (ESL) System.

2 Features

- ◆ 240 x 360 pixels display
- ◆ White reflectance above 45%
- ◆ Contrast Ratio above 20:1
- ◆ Ultra Wide Viewing Angle
- ◆ Ultra Low Power Consumption
- ◆ Pure Reflective Mode
- ◆ Bi-Stable Display
- ◆ Landscape, Portrait Modes
- ◆ Ultra Low Current deep Sleep Mode
- ◆ On Chip Display RAM
- ◆ SPI - Serial Peripheral Interface available
- ◆ On-Chip Oscillator
- ◆ On-Chip Booster and Regulator Control for generating VCOM, Gate and Source Driving Voltage
- ◆ I²C Signal Master Interface to read external Temperature Sensor

3 Application

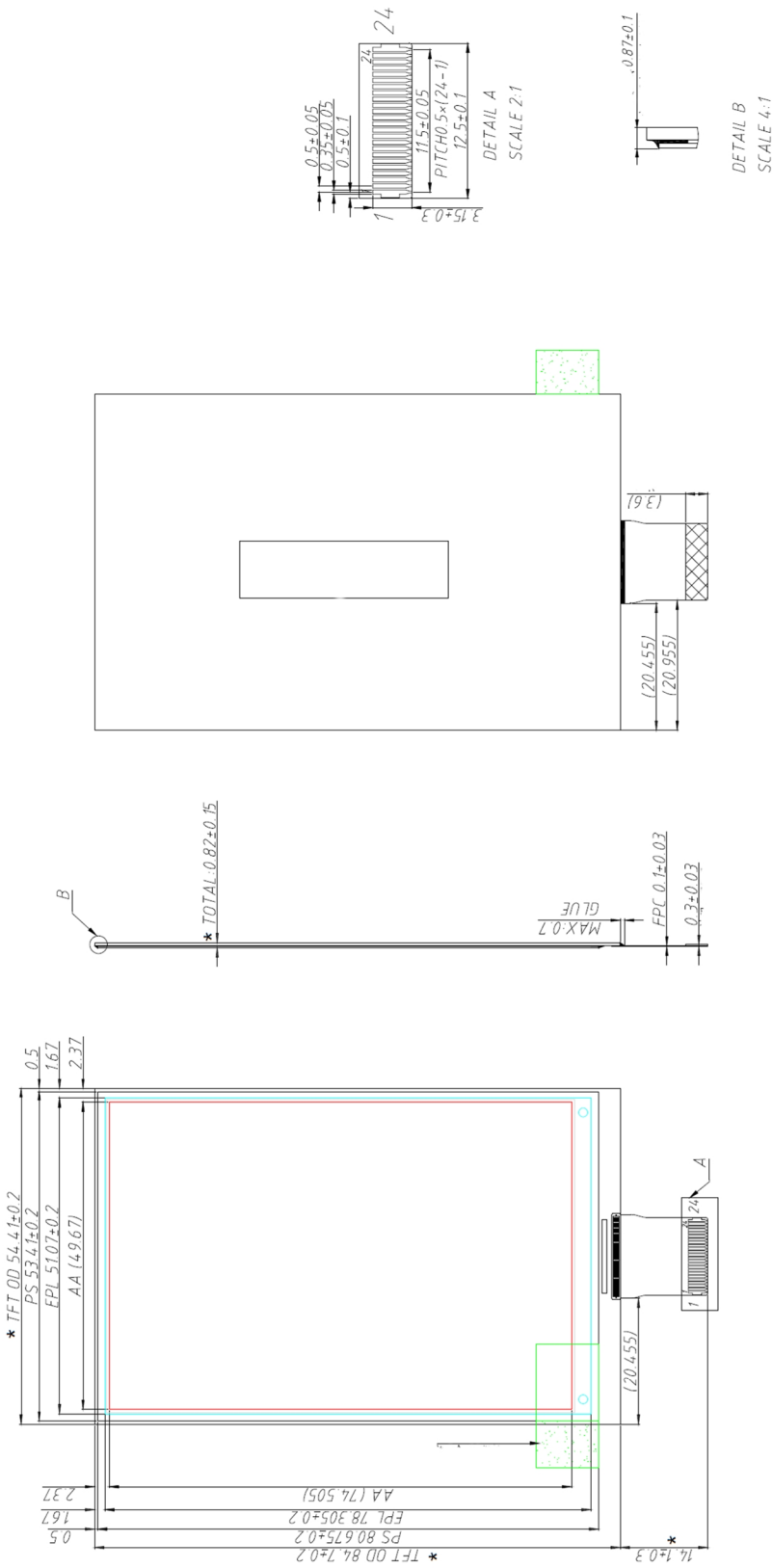
Electronic Shelf Label System or others.

4 Mechanical Specification

4.1 Dimension

Parameter	Specifications	Unit
Screen Size	3.52	Inch
Display Resolution	240 x 360	Pixel
Active Area	49.670 x 74.505	mm
Pixel Pitch	206.90 x 206.90	um
Pixel Configuration	Square	-
Outline Dimension	84.70 x 54.41 x 0.82	mm
Weight	~ 8.0	g

4.2 Mechanical Drawing of EPD Module



- NOTES:
1. Display module 3.5" array for EPD;
 2. Unspecified Tolerance ± 0.20 ;
 3. Material conform to the RoHS standard;
 4. Mark "*" for control DIM, ("<") DIM does not need to be measured.
 5. Product thickness (THK) include: TFT+EPL+PS.

5 Input/Output Pin Assignment

No.	Name	I/O	Description	Remark
1	NC	/	Do not connect with other NC pins	
2	GDR	O	N-Channel MOSFET Gate Drive Control	
3	RESE	I	Current Sense Input for the Control Loop	
4	NC	/	Do not connect with other NC pins	
5	VDHR	C	Positive Source driving voltage 1	
6	TSCL	O	I ² C Interface to digital temperature sensor Clock pin	
7	TSDA	I/O	I ² C Interface to digital temperature sensor Data pin	
8	BS	I	Bus Interface selection pin	Note 5-4
9	BUSYN	O	Busy state output pin	Note 5-3
10	RSTN	I	Reset signal input. Active Low.	
11	D/C	I	Data /Command control pin	Note 5-2
12	CSB	I	Chip select input pin	Note 5-1
13	SCL	I	Serial Clock pin (SPI)	
14	SDA	I/O	Serial Data pin (SPI)	
15	VDD	P	Power Supply for interface logic pins	
16	VDD	P	Power Supply for the chip	
17	VSS	P	Ground	
18	VDDD	C	Core logic power pin VDDD can be regulated internally from VDD. A capacitor should be connected between VDDD and VSS under all circumstances	
19	VPP	P	Power Supply for OTP Programming	
20	VSH	C	Positive Source driving voltage 2	
21	VGH	C	Positive Gate driving voltage	
22	VSL	C	Negative Source driving voltage	
23	VGL	C	Negative Gate driving voltage	
24	VCOM	C	VCOM driving voltage	

I = Input Pin, O =Output Pin, I/O = Bi-directional Pin (Input/Output), P = Power Pin, C = Capacitor Pin

Note 5-1: This pin is the chip select input connecting to the MCU. The chip is enabled for MCU communication only when CSB is pulled LOW.

Note 5-2: This pin is Data/Command control pin connecting to the MCU in 4-wire SPI mode. When the pin is pulled HIGH, the data at D1 will be interpreted as data. When the pin is pulled LOW, the data at D1 will be interpreted as command.

Note 5-3: This pin is busy state output pin. When Busy is Low, the operation of chip should not be interrupted, command should not be sent, e.g., the chip would put Busy pin Low when

- Outputting display waveform
- Programming with OTP
- Communicating with digital temperature sensor

Note 5-4: Bus interface selection pin

BS State	MCU Interface
L	4-Lines Serial Peripheral Interface (SPI)
H	3-Lines Serial Peripheral Interface (SPI) - 9 Bits SPI

6 Electrical Characteristics

6.1 Absolute Maximum Rating

Parameter	Symbol	Rating	Unit
Logic Supply Voltage	V_{dd}	-0.5 to +4.0	V
Logic Input Voltage	V_{IN}	-0.3 to $V_{dd} + 0.3$	V

Note: Maximum ratings are those values beyond which damages to the device may occur. Functional operation should be restricted to the limits in the Panel DC Characteristics tables.

6.2 Panel DC Characteristics

The following specifications apply for: $V_{SS}=0V$, $V_{DD}=3.0V$, $T_{OPR}=25^{\circ}C$.

Parameter	Symbol	Condition	Applicable pin	Min.	Typ.	Max.	Unit
Logic supply voltage	V_{dd}	-	VDD	2.6	3.0	3.6	V
High level input voltage	V_{IH}	-	-	$0.8 V_{dd}$	-	-	V
Low level input voltage	V_{IL}	-	-	-	-	$0.2 V_{dd}$	V
High level output voltage	V_{OH}	$I_{OH} = -100\mu A$	-	$0.8 V_{dd}$	-	-	V
Low level output voltage	V_{OL}	$I_{OL} = 100\mu A$	-	-	-	$0.2 V_{dd}$	V
Typical power panel	P_{TYP}	-	-	-	24	-	mW
Deep sleep mode	P_{STPY}	-	-	-	3	-	uW
Typical operating current	I_{opr_VDD}	$V_{dd} = 3.0V$ -	-	-	8	-	mA
Sleep mode current	I_{slp_VDD}	VDD=3.0V DC/DC OFF No clock No output load	VDD	-	30	--	uA

		Ram data retain					
Deep sleep mode current	IdslpVDD	VDD=3.0V DC/DC OFF No clock No output load Ram data not retain	VDD	-	1	--	uA
Operation temperature range	T _{OPR}	-	-	0	-	50	°C
Operation illuminance intensity	E	indoor only	-	-	-	2000	lux
Storage temperature range	T _{STG}	-	-	-25	-	60	°C
Storage relative humidity	RHst	-	-	30	-	60	%RH

Notes: 1. The typical power is measured with following transition: from horizontal 2 gray scale pattern to vertical 2 gray scale pattern. (Figure 10-2)

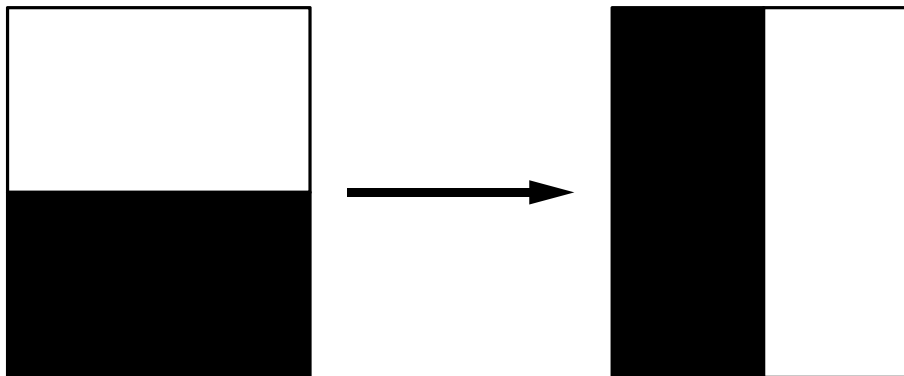


Figure 10-2 The typical Power Consumption measure pattern

- 2. The deep sleep power is the consumed power when the panel controller is in deep sleep mode.
- 3. The listed electrical/optical characteristics are only guaranteed under the controller & waveform provided by supplier.

6.3 Panel AC Characteristics

6.3.1 MCU Interface Selection

MCU interface consist of 2 data/command pins and 3 control pins. The pin assignment at different interface mode is summarized in Table 10-4-1. Different MCU mode can be set by hardware selection on BS pins. The display panel only supports 4-wire SPI or 3-wire SPI interface mode.

Pin Name	Data/Command Interface		Control Signal		
Bus interface	SDA	SCL	CSB	D/C	RSTN
4-Wire SPI	SDIN	SCLK	CSB	D/C	RSTN
3-Wire SPI	SDIN	SCLK	CSB	L	RSTN

Table 10-4-1: MCU Interface Assignment under different Bus Interface Mode

6.3.2 MCU Serial Interface (4-Wire SPI)

The serial interface consists of serial clock SCLK, serial data SDIN, D/C, CSB. In 4-wire SPI mode, SCL acts as SCLK, SDA acts as SDIN.

Function	CSB	D/C	SCLK
Write Command	L	L	↑
Write Data	L	H	↑

Note: ↑ stands for rising edge of signal

Table10-4-2: Control pins of 4-Wire Serial Interface

SDIN is shifted into an 8-bit shift register on every rising edge of SCLK in the order of D7, D6, ... D0. D/C is sampled on every eighth clock and the data byte in the shift register is written to the Graphic Display Data RAM (RAM) or command register in the same clock.

Under serial mode, only write operations are allowed.

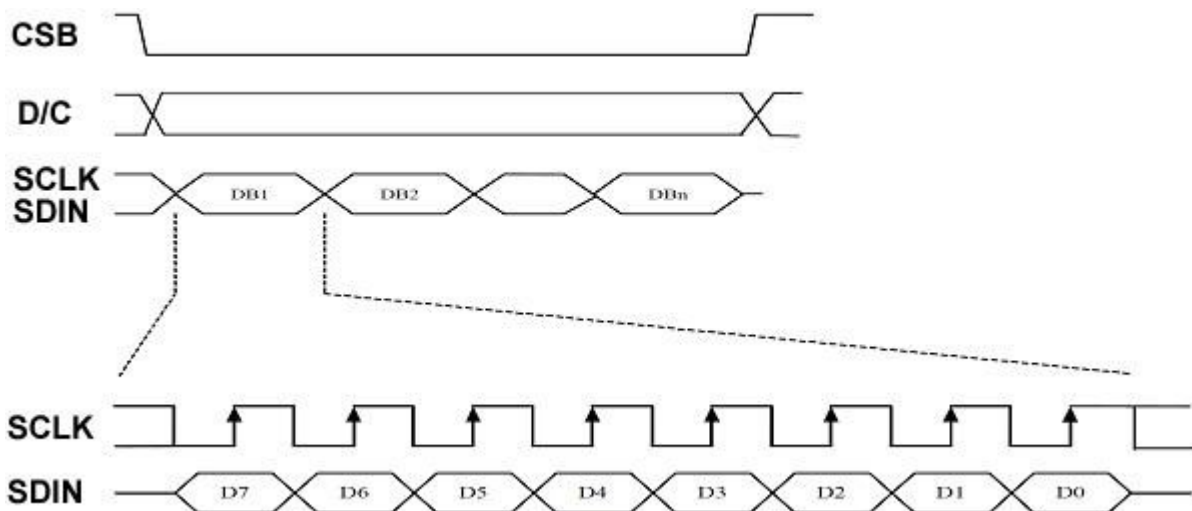


Figure 10-4-2: Write procedure in 4-Wire SPI Mode

6.3.3 MCU Serial Interface (3-Wire SPI)

The 3-wire serial interface consists of serial clock SCLK, serial data SDIN and CSB. In 3-wire SPI mode, SCL acts as SCLK, SDA acts as SDIN.

The operation is similar to 4-wire serial interface while D/C pin is not used. There are altogether 9-bits will be shifted into the shift register on every ninth clock in sequence: D/C bit, D7 to D0 bit. The D/C bit (first bit of the sequential data) will determine the following data byte in the shift register is written to the Display Data RAM (D/C bit = 1) or the command register (D/C bit = 0).

Under serial mode, only write operations are allowed.

Function	CSB	D/C	SCLK
Write Command	L	Tie	↑
Write Data	L	Tie	↑

Note: ↑ stands for rising edge of signal

Table 10-4-3: Control pins of 3-Wire Serial Interface

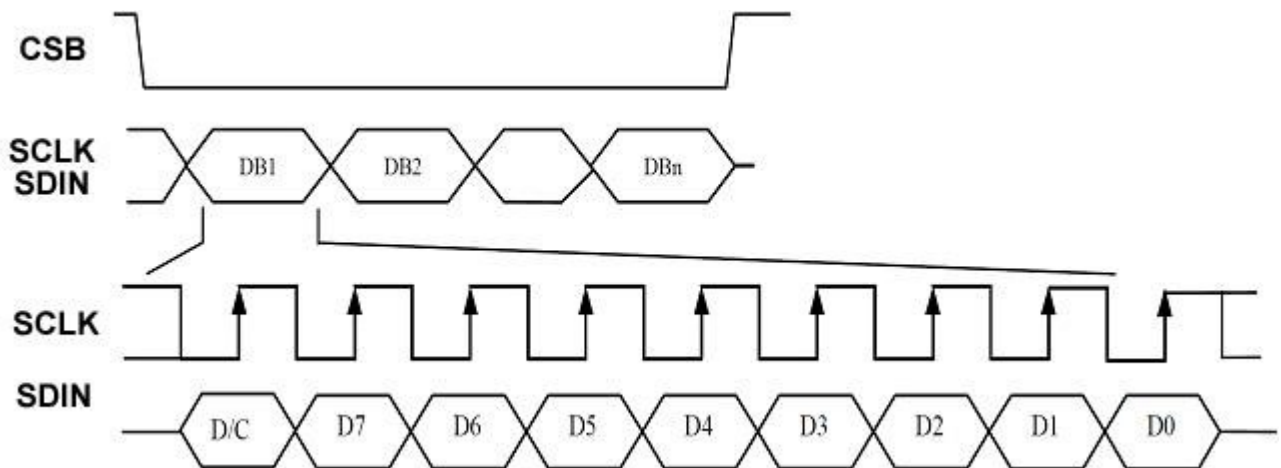


Figure 10-4-3: Write procedure in 3-Wire SPI Mode

6.3.4 Interface Timing

The following specifications apply for: VSS=0V, VDD =3.0V, T_{OPR} =25°C.

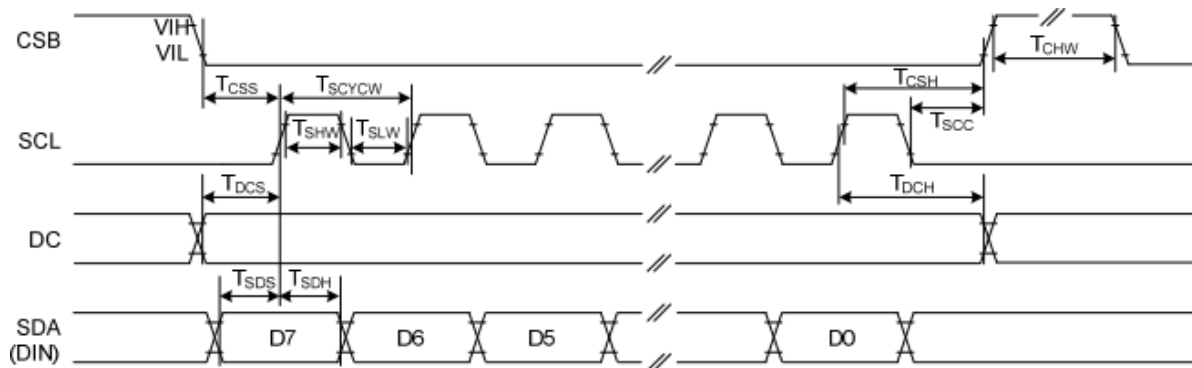


Figure 10-4-5: 4-Wire Serial Interface Characteristics (Write mode)

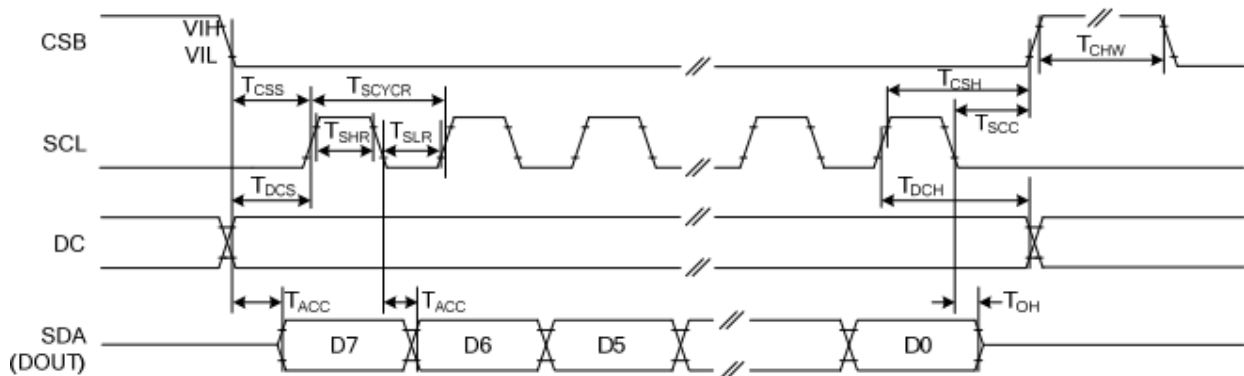


Figure 10-4-6: 4-Wire Serial Interface Characteristics (Read Mode)

(V_{dd} - VSS = 2.4V to 3.3V, T_{OPR} = 25°C, CL=20pF)

Symbol	Signal/Parameter	Conditions	Min.	Typ.	Max.	Unit
T _{CSS}	CSB	Chip select setup time	60			ns
T _{CSH}		Chip select hold time	65			ns
T _{SCC}		Chip select setup time	20			ns
T _{CHW}		Chip select setup time	40			ns
T _{SCYCW}	SCL	Serial clock cycle (Write)	170			ns
T _{SHW}		SCL “H” pulse width (Write)	85			ns
T _{SLW}		SCL “L” pulse width (Write)	85			ns
T _{SCYCR}		Serial clock cycle (Read)	350			ns
T _{SHR}		SCL “H” pulse width (Read)	175			ns
T _{SLR}		SCL “L” pulse width (Read)	175			ns
T _{DCS}	DC	DC setup time	30			ns
T _{DCH}		DC hold time	30			ns
T _{SDS}	SDA (DIN)	Data setup time	30			ns
T _{SDH}		Data hold time	30			ns
T _{ACC}	SDA (DOUT)	Access time			250	ns
T _{OH}		Output disable time	15			ns

Table 10-4-4: 4-Wire Serial Interface Timing Characteristics

7 Optical Specification

Measurements are made with that the illumination is under an angle of 45 degrees, the detection is perpendicular unless otherwise specified.

Symbol	Parameter	Conditions	Values			Units	Notes
			Min.	Typ.	Max		
R	White Reflectivity	White	45	48	-	%	11-1
CR	Contrast Ratio		20:1	25:1	-	-	11-2
T _{update}	Full Refresh	at +25 °C	500	750	-	ms	11-3
	Partial Refresh	at +25 °C	-	250	-	ms	

Notes: 11-1. Luminance meter: Eye-One Pro Spectrophotometer.

11-2. CR=Surface Reflectance with all white pixel/Surface Reflectance with all black pixels.

11-3. Waveform provided by supplier is required.

Full Refresh: The screen will flicker several times during the refresh process.

Partial Refresh: The screen does not flicker during the refresh process.

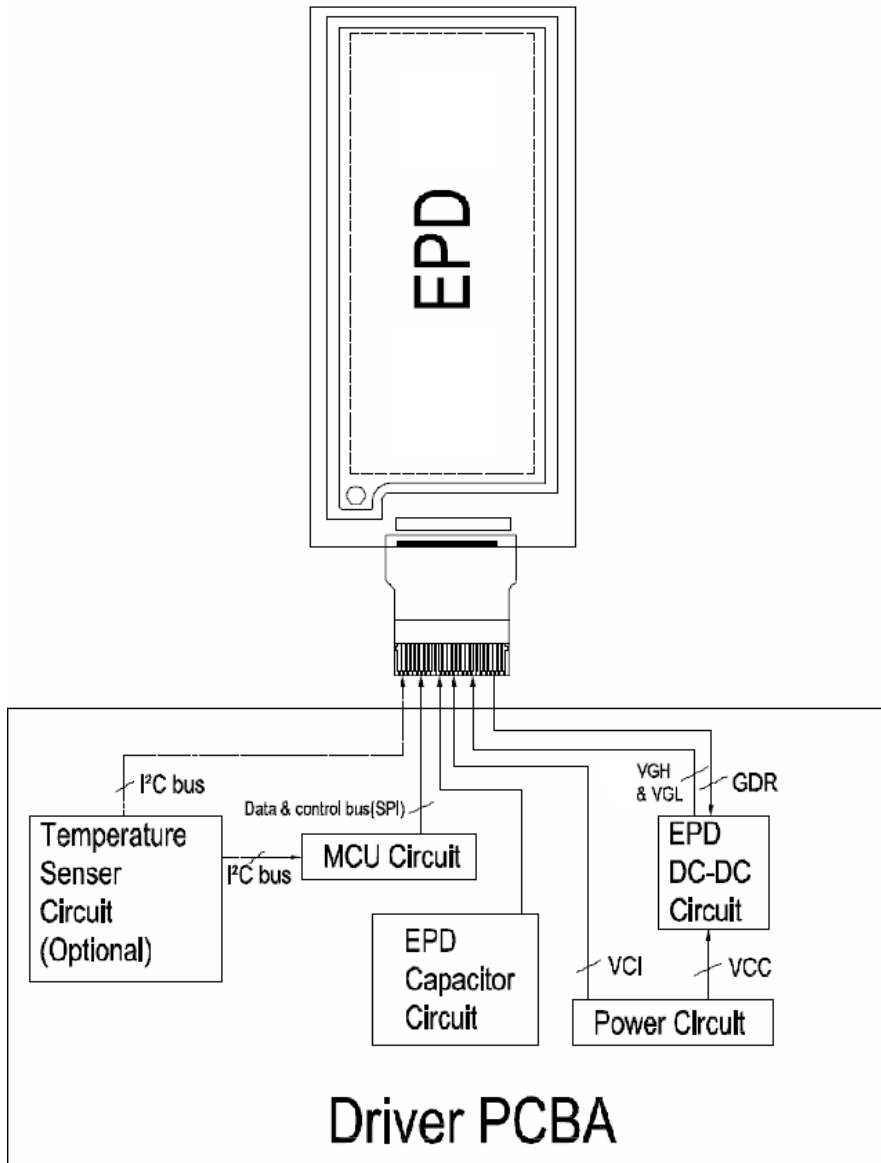
8 Handling, Safety, and Environment Requirements

1. The EPD Panel / Module is manufactured from fragile materials such as glass and plastic, and may be broken or cracked if dropped. Please handle with care. Do not apply force such as bending or twisting to the EPD panel
2. The display module should not be exposed to harmful gases, such as acid and alkali gases, which corrode electronic components.
3. Do not apply pressure to the EPD panel in order to prevent damaging it
4. Do not connect or disconnect the interface connector while the EPD panel is in operation
5. Do not stack the EPD panels / Modules.
6. Keep the EPD Panel / Module in the specified environment and original packing boxes when storage in order to avoid scratching and keep original performance.
7. Do not disassemble or reassemble the EPD panel
8. Use a soft dry cloth without chemicals for cleaning. Please don't press hard for cleaning because the surface of the protection sheet film is very soft and without hard coating. This behavior would make dent or scratch on protection sheet
9. Please be mindful of moisture to avoid its penetration into the EPD panel, which may cause damage during operation
10. It's low temperature operation product. Please be mindful the temperature different to make frost or dew on the surface of EPD panel. Moisture may penetrate into the EPD panel because of frost or dew on surface of EPD panel, and makes EPD panel damage.
11. High temperature, high humidity, sunlight or fluorescent light may degrade the EPD panel's performance. Please do not expose the unprotected EPD panel to high temperature, high humidity, sunlight, or fluorescent for long periods of time. Please store the EPD panel in controllable environment of warehouse and original package. Without sunlight, without condensation a temperature range of 15°C to 35°C, and humidity from 30%RH to 60%RH.

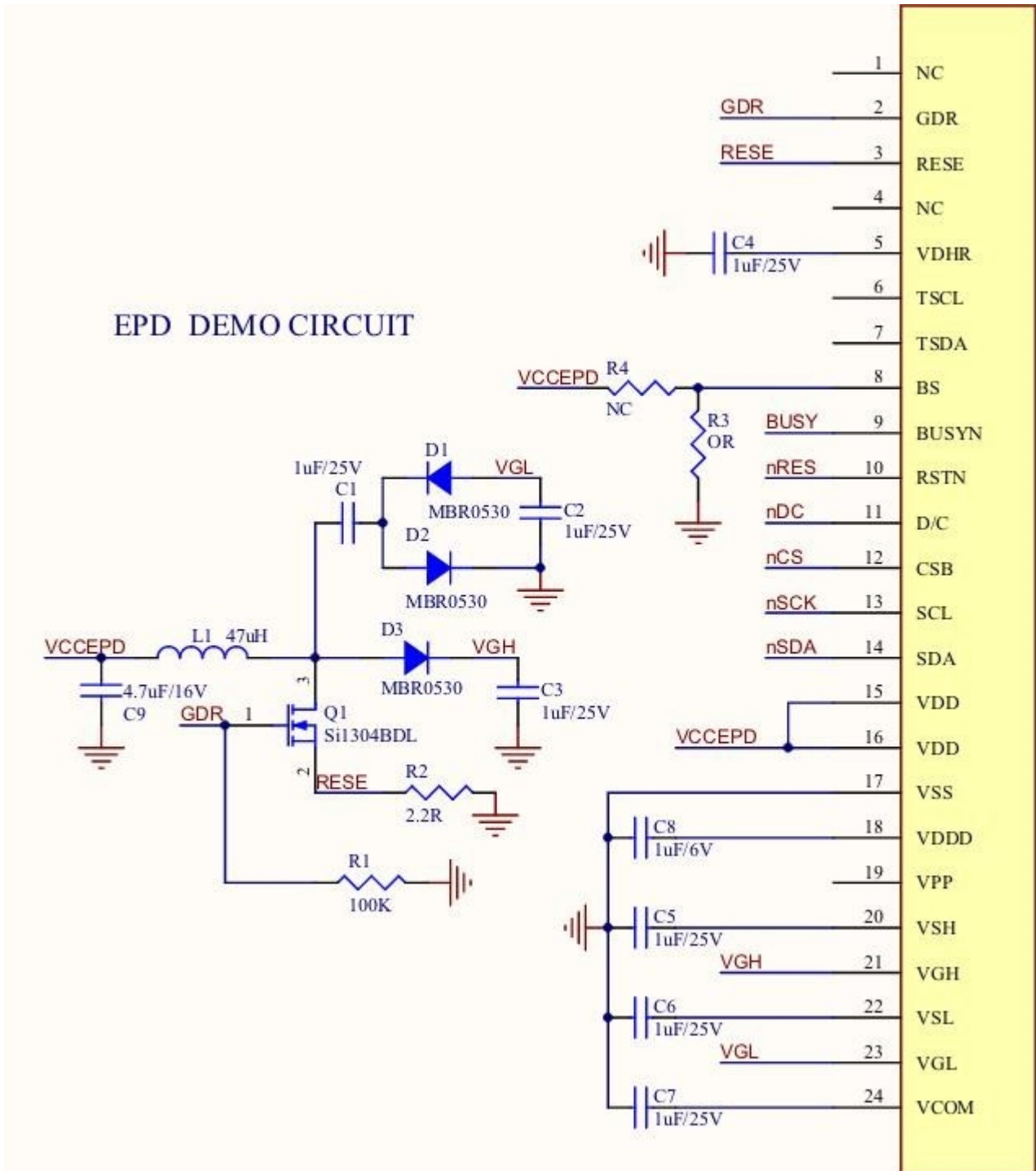
9 Reliability Test

No.	Test	Condition	Method	Remark
1	High-Temperature Operation	T = +50°C, RH = 30% for 240 hrs	IEC 60 068-2-2Bp	At the end of the test, electrical, mechanical, and optical specifications shall be satisfied.
2	Low-Temperature Operation	T = 0°C for 240 hrs	IEC 60 068-2-2Ab	At the end of the test, electrical, mechanical, and optical specifications shall be satisfied.
3	High-Temperature Storage	T = +70°C, RH=23% for 240 hrs	IEC 60 068-2-2Bp	At the end of the test, electrical, mechanical, and optical specifications shall be satisfied.
4	Low-Temperature Storage	T = -25°C for 240 hrs	IEC 60 068-2-1Ab	At the end of the test, electrical, mechanical, and optical specifications shall be satisfied.
5	High-Temperature, High-Humidity Operation	T = +40°C, RH = 90% for 168 hrs	IEC 60 068-2-3CA	At the end of the test, electrical, mechanical, and optical specifications shall be satisfied.
6	High Temperature, High-Humidity Storage	T = +60°C, RH=80% for 240hrs	IEC 60 068-2-3CA	At the end of the test, electrical, mechanical, and optical specifications shall be satisfied.
7	Thermal Shock	1 cycle:[-25°C 30min]→[+70°C 30 min] : 100 cycles	IEC 60 068-2-14	At the end of the test, electrical, mechanical, and optical specifications shall be satisfied.
8	Package Vibration	1.04G, Frequency: 10~500Hz Direction: X,Y,Z Duration: 1 hours in each direction	Full packed for shipment	At the end of the test, electrical, mechanical, and optical specifications shall be satisfied.
9	Package Drop Impact	Drop from height of 122 cm on concrete surface. Drop sequence: 1 corner, 3edges, 6 faces One drop for each	Full packed for shipment	At the end of the test, electrical, mechanical, and optical specifications shall be satisfied.
10	Electrostatic Effect (non-operating)	Machine model +/- 250V, 0Ω, 200pF	IEC 62179, IEC 62180	At the end of the test, electrical, mechanical, and optical specifications shall be satisfied.

10 Block Diagram



11 Typical Application Circuit with SPI Interface



References for component selection as below:

Components	Value/Type	Requirements
C1-C8	1uF	Dielectric: X5R/X7R, Rated Voltage: 25V
C9	4.7uF	Dielectric: X5R/X7R, Rated Voltage: 25V
D1-D3	diode	MBR0530 1.reverse DC \geq 30V 2.Io \geq 500mA 3.Forward \leq 430mV
R1	100K Ω	1%
R2	2.2 Ω	1%
Q1	NMOS	Si1304BDL 1.Drain Source breakdown voltage \geq 30V 2.Vgs(Vth)=0.9V (TYP)) ,1.3V(Max) 3. Rds on \leq 2.1 Ω @Vgs=2.5V
L1	47uH	CDRH2D18/LDNP-470NC Io=500(Max)

12 Inspection Standard

12.1 Appearances Inspection Standard

12.1.1 Appearances Specification

This appearance inspection shall be applied to segment EPD modules.

12.1.2 Inspection Conditions

Viewing Angle: $\alpha = \pm 45^\circ$

Viewing Distance: 30cm \pm 10cm

Ambient Luminance: 700~1000 Lux.

Supply Voltage: Typical value described on the Electrical Characteristics

Environment Ambient Temperature: 20°C~25°C

Environment Ambient Humidity: 40~70%RH

ESD should be controlled within $\pm 200V$

12.1.3 Inspection Level: Level II

Sampling table: GB/T 2828.1-2012 II, unless otherwise agreed in writing.

12.1.4 Acceptance Quality Level (AQL)

Major Defect: 0.65 , Minor Defect: 1.5

12.1.5 Classification of Defects

Defects are classified as either a major or a minor defect defined as below.

Major Defect :It is a defect that is likely to result in failure or to reduce materially the usability of the product for the intended function.

Minor Defect :It is a defect that will not result in functioning problem with deviation classified.

12.2 Quality Criteria

12.2.1 Zone Definitions

A Zone: EPD Active Area (not including border)

B Zone: Out of Active Area

12.2.2 Appearances Criteria

As shown in the tables below. If any other items, standard values or applicable zones are required to be defined, a written agreement shall be signed, and otherwise a limited sample shall be made for reference.

Major Defects:

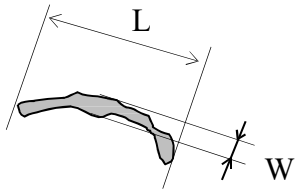
Item	Description	Classification
No Display	No display shown on screen due to malfunction	Major
Line Missing	Line missing	Major
Abnormal Display	Unusual pattern or function displayed	Major
TFT Broken	TFT broken by external force	Major

Minor Defects:

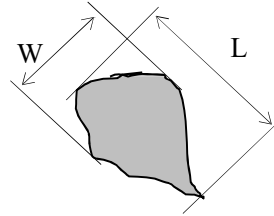
Item		Criteria	Specific Zone	
Name	Description		A Zone	B Zone
Dot defect	Spot/ Air bubble/ Foreign material in dot shape	$D \leq 0.30\text{mm}$	Ignore	Ignore
		$0.30\text{mm} < D \leq 0.50\text{mm}$	≤ 5	
		$D > 0.50\text{mm}$	0	
Line defect	Scratch on top surface/ Foreign material in line or spiral shape	$L \leq 1.0 \text{ mm} , W \leq 0.15\text{mm}$	Ignore	Ignore
		$1.0\text{mm} < L \leq 5.0\text{mm} \ \& \ 0.15\text{mm} < W \leq 0.5\text{mm}$	≤ 4	
		$L > 5.0\text{mm} \ \text{or} \ W > 0.5\text{mm}$	0	
Chipping	Corner chip	Not affect the display, not have diffuse or comminuted cracks		
	Edge chip			
Curl	Curl for Panel	$\leq 1.0 \text{ mm}$		

Remarks:

Definitions of “line” and “dot”:

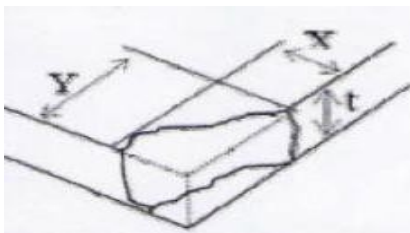


a. Line

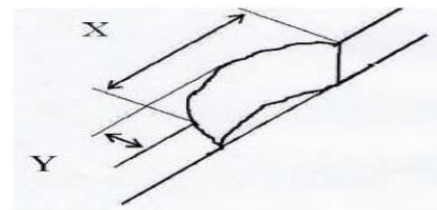


b. Dot

When $L \leq 0.5\text{mm}$ or $L < 4W$, defined as a dot. Definitions of “Chipping”:



c. Corner chip



d. Edge chip