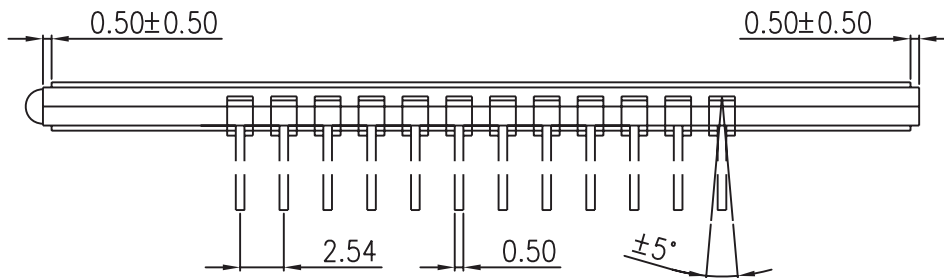


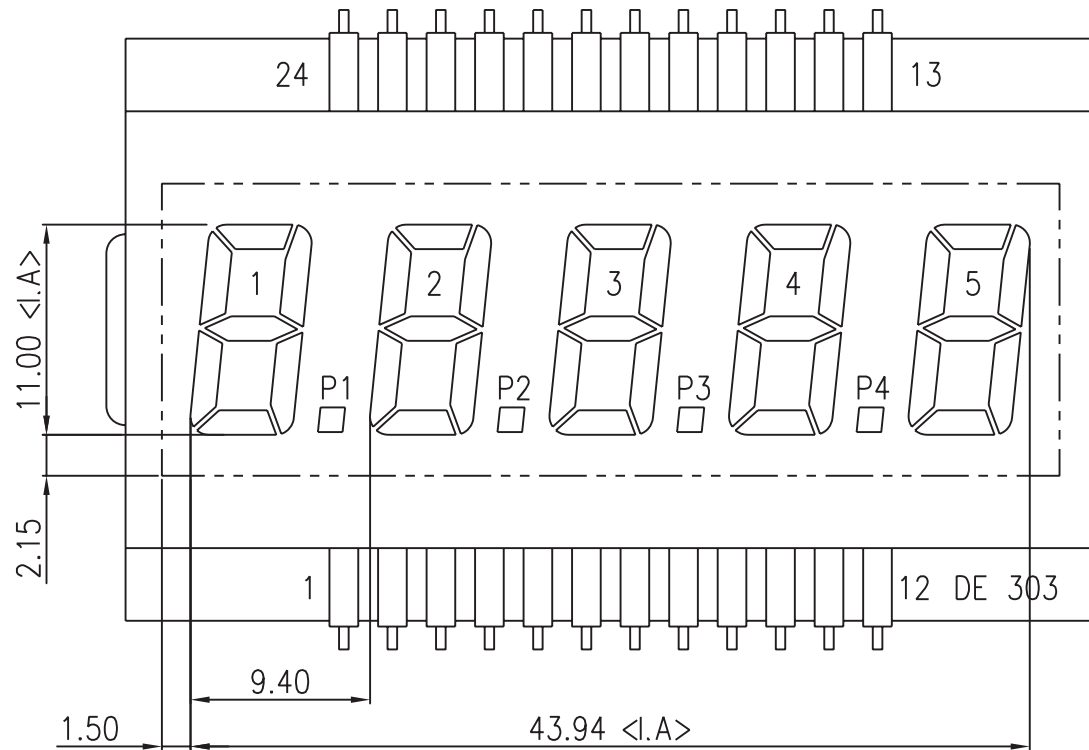
↑  
DIRECTION  
6:00  
VIEWING



|      |     |       |    |             |                     |
|------|-----|-------|----|-------------|---------------------|
| DWN  | AFA | UNIT  | mm | CUST. MODEL | DE 303-RU-20/12,2/M |
| CKD  |     | SCALE |    | MODEL       |                     |
| APPD |     |       |    | DATE        | DEC-22-2010         |

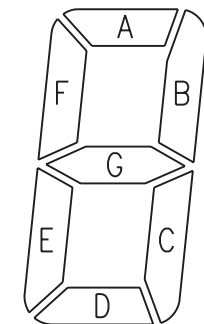
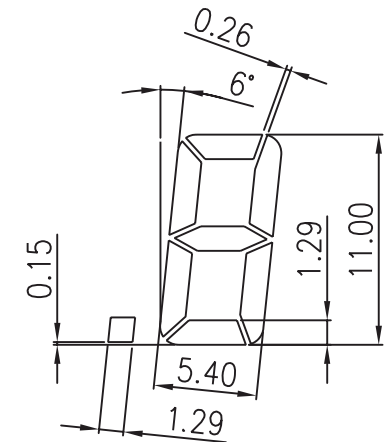
|      |                  |            |
|------|------------------|------------|
| 1    | INITIAL REVISION | DEC-22-'10 |
| REV. | MODIFY CONTENT   | DATE       |

|                                |  |      |     |
|--------------------------------|--|------|-----|
| <b>Display Elektronik GmbH</b> |  | NAME | AFA |
|                                |  | PAGE | 1/4 |

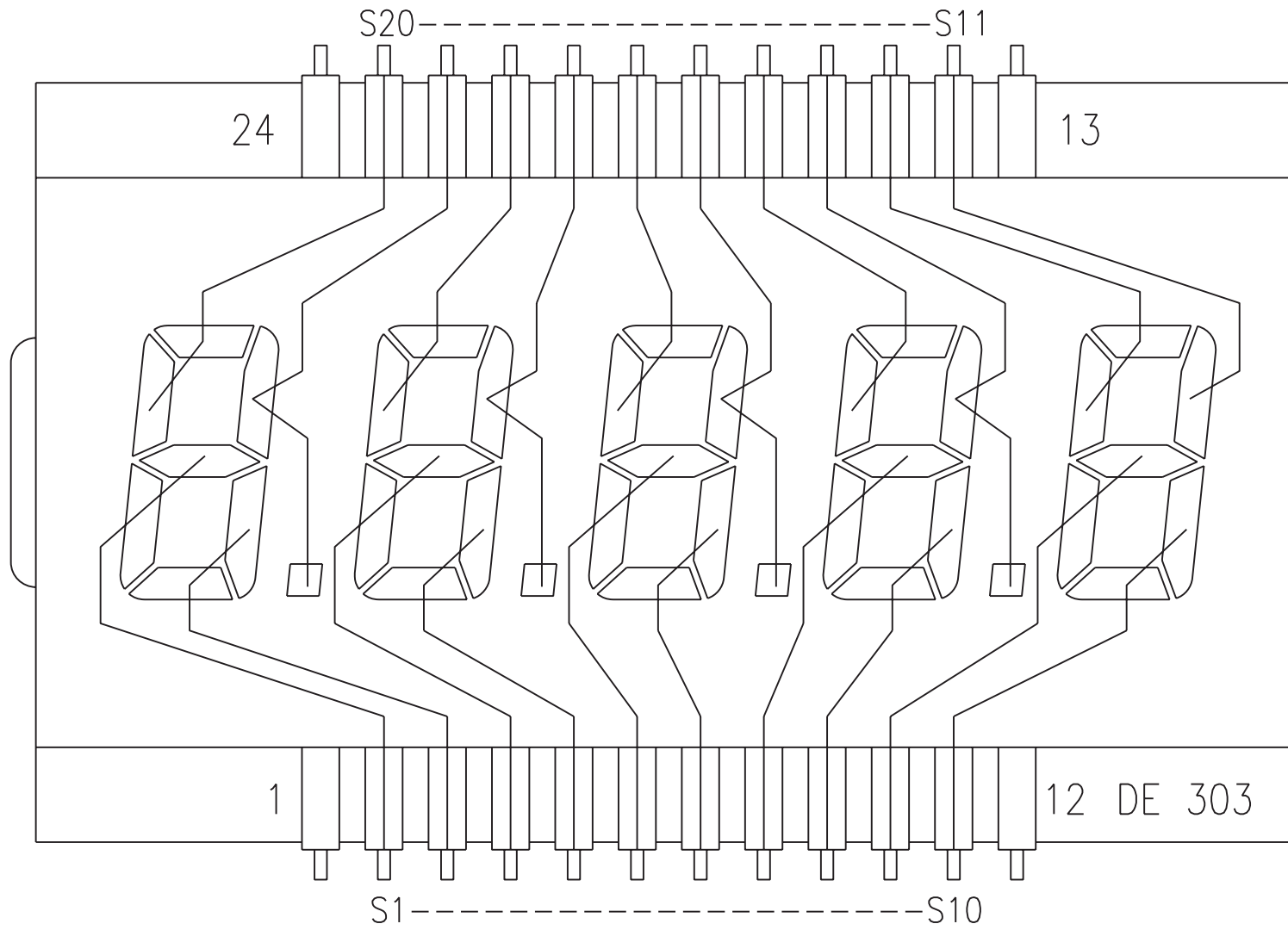


- NOTE:
1. TN TYPE
  2. DRIVING METHOD: 1/2 DUTY, 1/2 BIAS
  3. OPERATING VOLTAGE: 3.0 VOP, 64HZ
  4. OPERATING TEMP: -20° ~ 80°C
  5. STORAGE TEMP: -25° ~ 85°C
  6. VIEWING DIRECTION: 6:00
  7. POLARIZER MODE: REFLECTIVE POSITIVE <HIGH GRADE>
  8. CONNECTION: PIN TYPE
  9. DIMENSIONS ARE IN MILLIMETERS AND UNLESS OTHERWISE NOTED ARE ±0.20MM
  10. THE TOTAL THICKNESS OF GLASS IS NOT INCLUDING THE PROTECTIVE FILM.

|    | COM1 | COM2 |
|----|------|------|
| 1  | COM1 | .    |
| 2  | 1E   | 1G   |
| 3  | 1D   | 1C   |
| 4  | 2E   | 2G   |
| 5  | 2D   | 2C   |
| 6  | 3E   | 3G   |
| 7  | 3D   | 3C   |
| 8  | 4E   | 4G   |
| 9  | 4D   | 4C   |
| 10 | 5E   | 5G   |
| 11 | 5D   | 5C   |
| 12 | COM1 | .    |
| 13 | .    | COM2 |
| 14 | .    | 5B   |
| 15 | 5F   | 5A   |
| 16 | P4   | 4B   |
| 17 | 4F   | 4A   |
| 18 | P3   | 3B   |
| 19 | 3F   | 3A   |
| 20 | P2   | 2B   |
| 21 | 2F   | 2A   |
| 22 | P1   | 1B   |
| 23 | 1F   | 1A   |
| 24 | .    | COM2 |

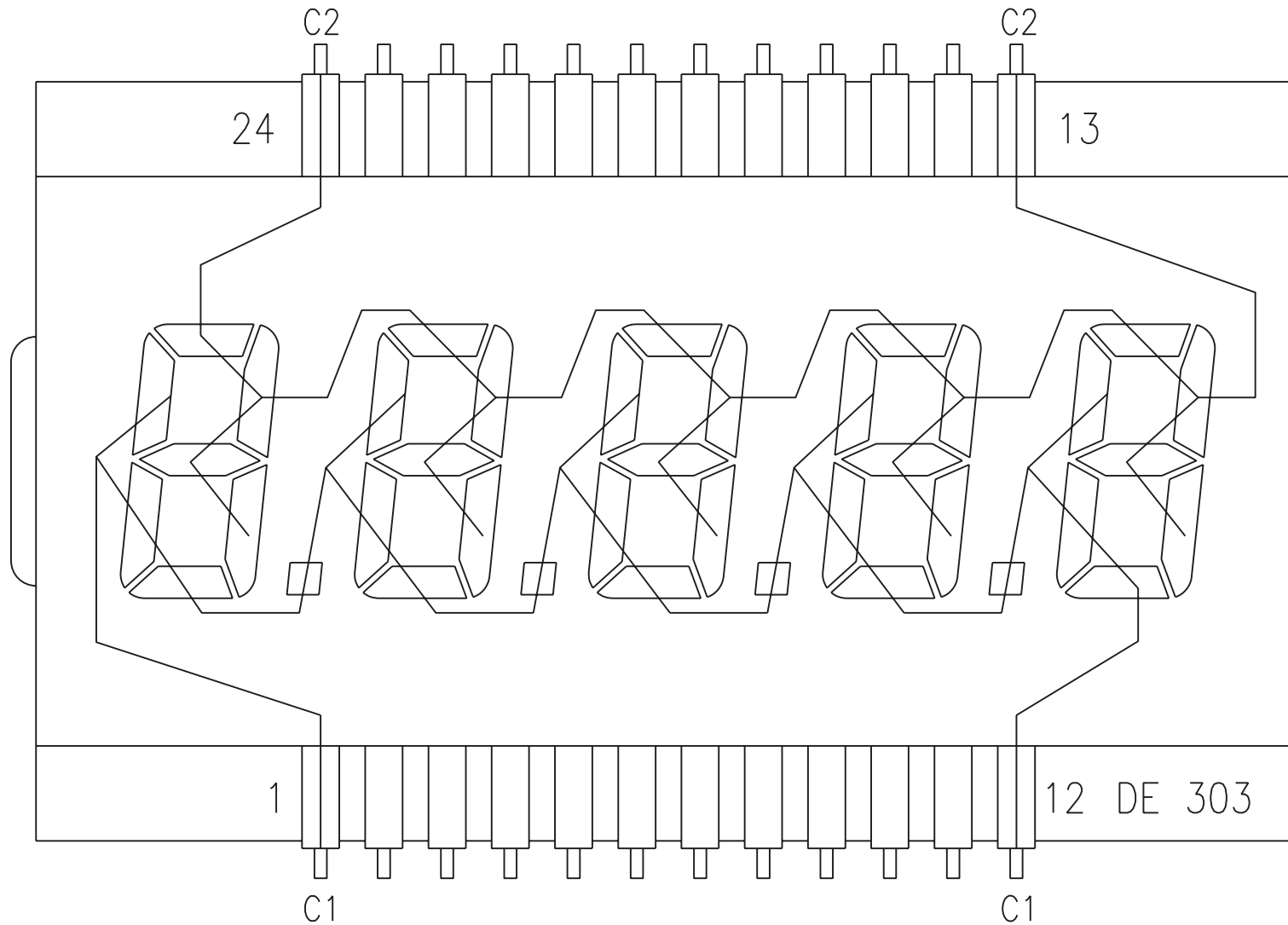


| DWN                            | AFA | UNIT  | mm | CUST. MODEL | DE 303-RU-20/12,2/M |     |
|--------------------------------|-----|-------|----|-------------|---------------------|-----|
| CKD                            |     | SCALE |    | MODEL       |                     |     |
| APPD                           |     |       |    | DATE        | DEC-22-2010         |     |
| <b>Display Elektronik GmbH</b> |     |       |    |             | NAME                | AFA |
|                                |     |       |    |             | PAGE                | 2/4 |



SEGMENT

|                                |     |       |    |             |                     |     |
|--------------------------------|-----|-------|----|-------------|---------------------|-----|
| DWN                            | AFA | UNIT  | mm | CUST. MODEL | DE 303-RU-20/12,2/M |     |
| CKD                            |     | SCALE |    | MODEL       |                     |     |
| APPD                           |     |       |    | DATE        | DEC-22-2010         |     |
| <b>Display Elektronik GmbH</b> |     |       |    |             | NAME                | AFA |
|                                |     |       |    |             | PAGE                | 3/4 |



COMMON

|                                |     |       |    |             |                     |     |
|--------------------------------|-----|-------|----|-------------|---------------------|-----|
| DWN                            | AFA | UNIT  | mm | CUST. MODEL | DE 303-RU-20/12,2/M |     |
| CKD                            |     | SCALE |    | MODEL       |                     |     |
| APPD                           |     |       |    | DATE        | DEC-22-2010         |     |
| <b>Display Elektronik GmbH</b> |     |       |    |             | NAME                | AFA |
|                                |     |       |    |             | PAGE                | 4/4 |